



REV A January 2010

Oscilent Controlled Document

Ordering Code / Part Number	Product Description
882-RF462.4M-F	CDMA450 C-Band, Balanced RF-Rx SAW Filter

### Specification Contents

- o Mechanical Dimensions
- o Test Circuit
- o Maximum Ratings
- o Electrical Specification
- o Frequency Performance
- o VSWR
- o Smith Chart

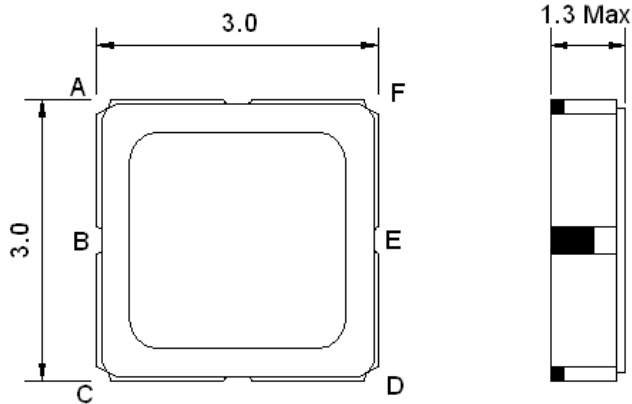
### Notes

- o Electrostatic Sensitive Device (ESD) 
- o Avoid excessive ultrasonic exposure
- o Solderability compatible with JEDEC J-STD-020C Pb-free process, 260°C peak reflow temperature
- o This product complies with EU directive 2002/95/EC (RoHS compliance)

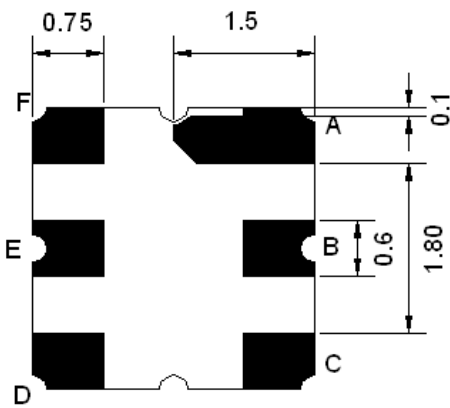




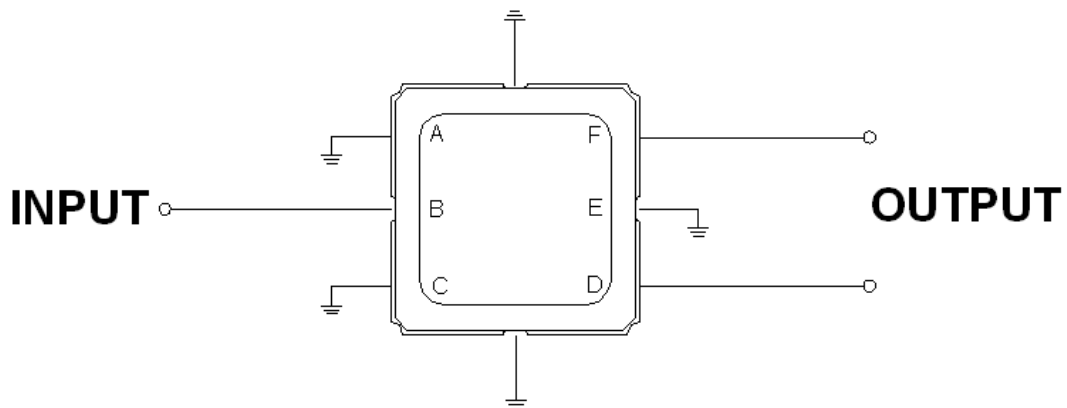
## Mechanical Dimensions (mm)



Pin Description	
A, C, E	Ground
B	In
D, F	Out



## Test Circuit



Source Impedance: 50  $\Omega$

Load Impedance: 100  $\Omega$

**Maximum Ratings**

Parameters Description	Unit	Minimum	Typical	Maximum
Operating Temperature Range	°C	-30	-	+80
Storage Temperature Range	°C	-40	-	+85
Maximum DC Voltage	V	-	-	0
Maximum Input Power	dBm	-	-	25
Source Impedance (single ended) <sup>(1)</sup>	Ω	-	50	-
Load Impedance (balanced ended) <sup>(1)</sup>	Ω	-	100	-

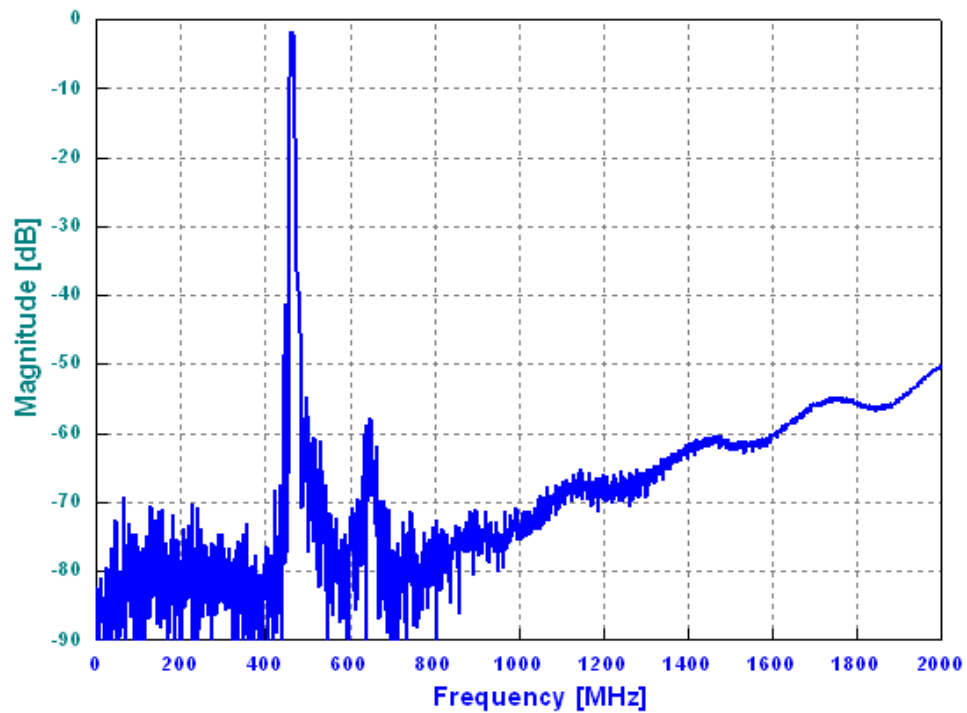
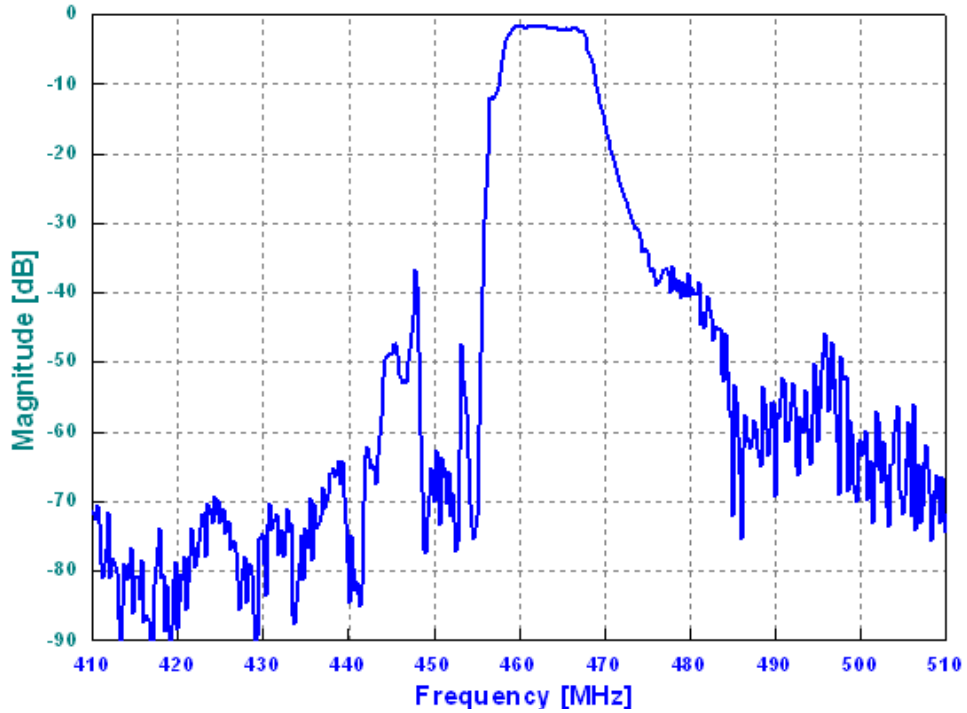
Notes: No Matching Network

**Electrical Specification**

Parameters Description	Unit	Minimum	Typical	Maximum
Center Frequency (Fo)	MHz	-	462.4	-
Insertion Loss within 460.0 ~464.8 MHz	dB	-	2.2	4.0
Stop Band Attenuation:				
D.C ~ 440.0 MHz	dB	45	55	-
450.0 ~ 454.8 MHz	dB	30	43	-
478.0 ~ 505.0 MHz	dB	30	35	-
505.0 ~ 1000.0 MHz	dB	40	50	-
1000.0 ~ 1200.0 MHz	dB	48	55	-
1200.0 ~ 1700.0 MHz	dB	48	55	-
VSWR within 460.0 ~ 464.8 MHz	-	-	2.2	2.5

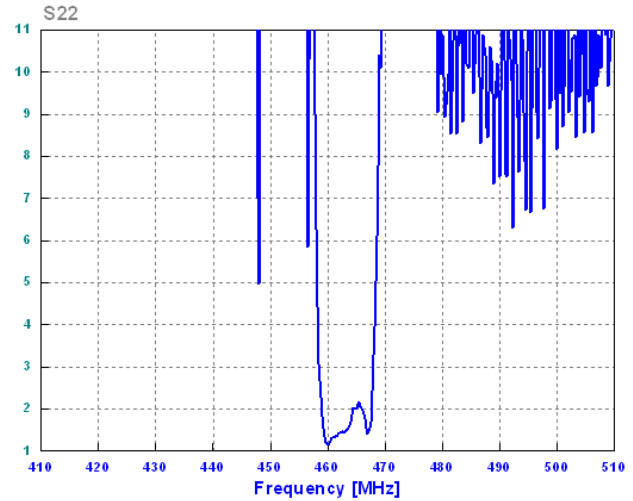
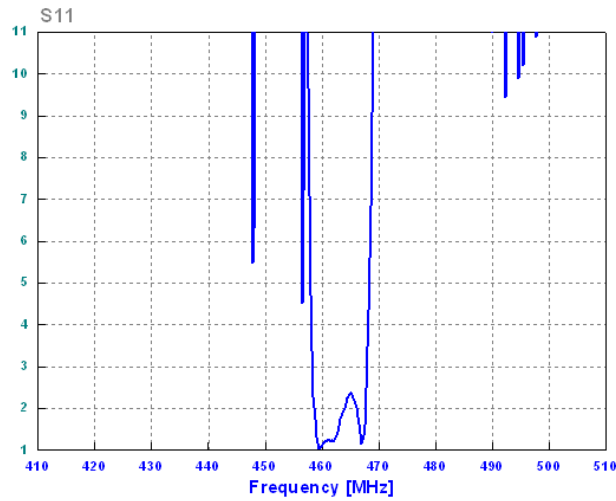


### Frequency Performance





## VSWR



## Smith Chart

