



Oscilent Corporation

PRODUCT SPECIFICATION

REV A January 2010

Oscilent Controlled Document

Ordering Code / Part Number	Product Description
862-RF1690.0M-C	Wireless, Balanced RF SAW Filter

Specification Contents

- o Mechanical Dimensions
- o Test Circuit
- o Maximum Ratings
- o Electrical Specification
- o Frequency Performance

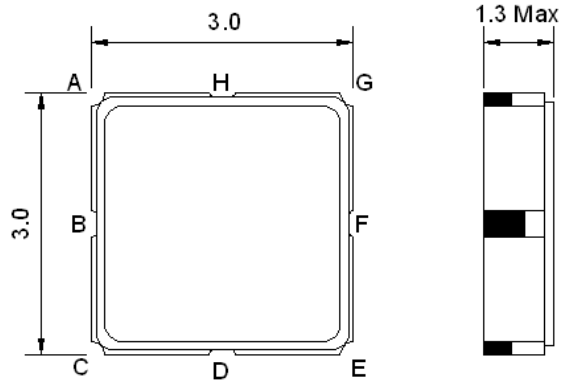
Notes

- o Electrostatic Sensitive Device (ESD) 
- o Avoid excessive ultrasonic exposure
- o Solderability compatible with JEDEC J-STD-020C Pb-free process, 260°C peak reflow temperature
- o This product complies with EU directive 2002/95/EC (RoHS compliance)

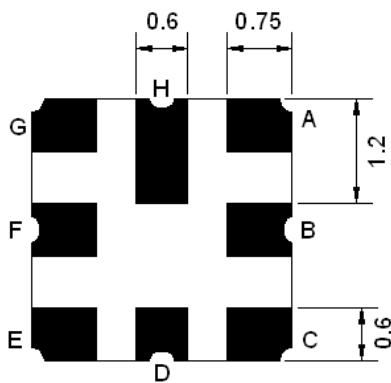




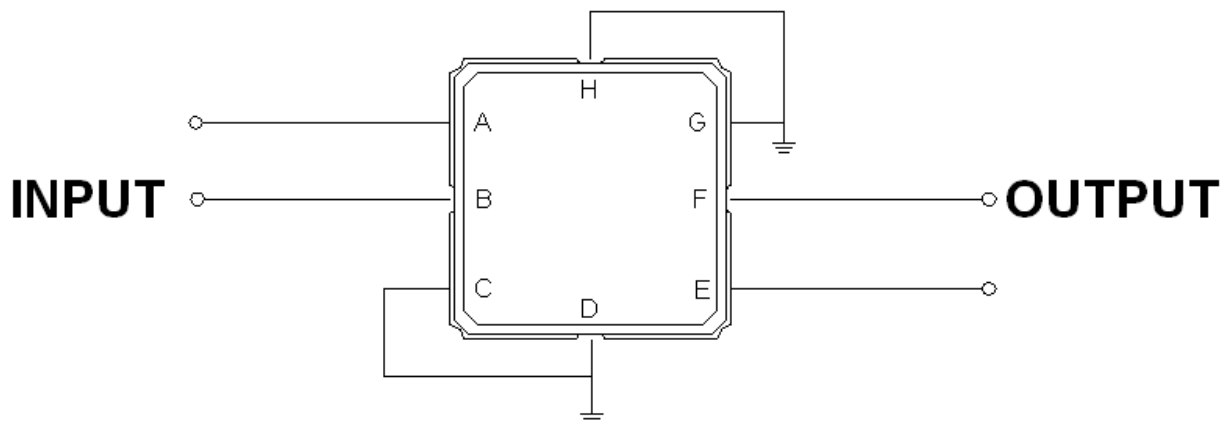
Mechanical Dimensions (mm)



Pin Description	
C, D, G, H	Ground
A, B	In
E, F	Out



Test Circuit



Source Impedance: 190 Ω

Load Impedance: 190 Ω



Maximum Ratings

Parameters Description	Unit	Minimum	Typical	Maximum
Operating Temperature Range	°C	0	-	+70
Storage Temperature Range	°C	-40	-	+85
Maximum DC Voltage	V	-	-	3
Maximum Input Power	dBm	-	-	15
Source Impedance (balanced ended) ⁽¹⁾	Ω	-	190	-
Load Impedance (balanced ended) ⁽¹⁾	Ω	-	190	-

Notes: No Matching Network

Electrical Specification

Parameters Description	Unit	Minimum	Typical	Maximum
Center Frequency (Fo)	MHz	-	1690.0	-
Insertion Loss within 1681.2 ~ 1698.8 MHz	dB	-	3.0	3.5
Amplitude Ripple within 1681.2 ~ 1698.8 MHz	dB _{p-p}	-	0.8	1.5
Group Delay Ripple within 1681.2 ~ 1698.8 MHz	ns _{p-p}	-	15	20
3dB Bandwidth	MHz	-	34	40
10dB Bandwidth	MHz	-	42	50
Attenuation				
1577.0 ~ 1626.0 MHz	dB	47	52	-



Frequency Performance

