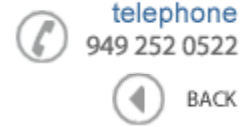




**Data Sheet**



Product Category: Filters

Series Number	Package	Description	Last Modified
763	10.7 MHz Chip Type	Ceramic Filter	Jan. 01 2007

**Filter FEATURES**

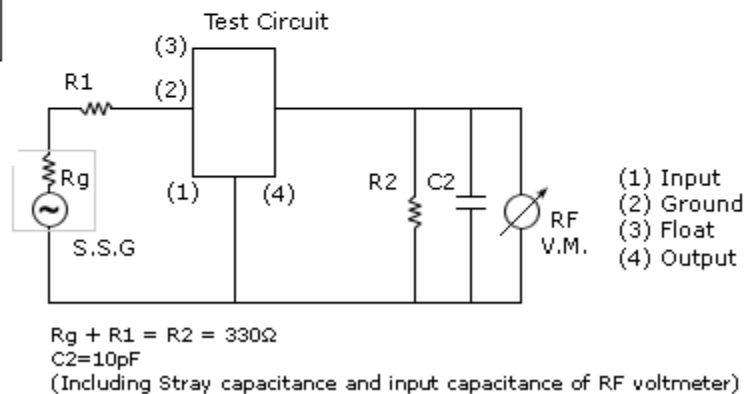
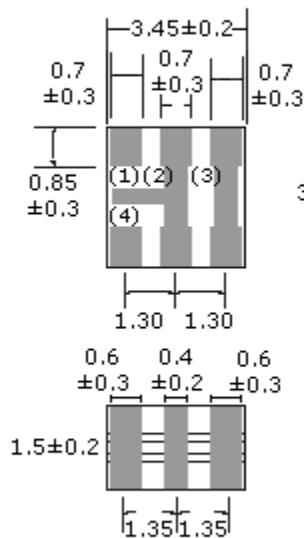
- Chip Type Ceramic Filter
- Low Loss Surface Mount
- RoHS Compliant



**TECHNICAL CHARACTERISTICS / PART NUMBER GUIDE**

Part Number	3 dB Bandwidth	20 dB Bandwidth	Insertion Loss	Spurious Attenuation (9 ~ 12 KHz)	In/Out Impedance
	KHz min.	KHz max.	dB max.	dB min.	ohm
760-0107-A5	280 ±50	590	3.0 ±2.0	30	330
760-0107-S2	230 ±50	510	3.5 ±2.0	30	330
760-0107-S3	180 ±40	470	4.5 ±2.0	30	330
760-0107-A20	330 ±50	700	3.0 ±2.0	30	330

**PACKAGE DIMENSIONS (mm)**



---

[Crystal Oscillators](#) | [Quartz Crystal](#) | [TCXO](#) | [VCXO](#) | [IF SAW Filter](#) | [RF SAW Filter](#) | [Ceramic Resonator](#)  
[Crystal Filter](#) | [Ceramic Filter](#) | [SAW Filter / SAW Devices](#) | [Site Map](#)